

TROJAN PALADIN



Trojan Paladin

Heavy Duty Bar Lift with Paladin Clamp Arms



The Trojan bin lift is a rave mounted manual bar lift with the following key features:

- **Bolt on fixing,**
the Trojan bar lift simply bolts to the RCV, to allow it to be easily removed for moving to other vehicles or in the event of accident damage to allow the RCV to continue to work.
- **Rave mounting,**
the simple rave mounting provides a wide-open hopper for the easy loading of bulky items and sacks.
- **Clamp arm efficiency,**
clamp arms opened by push button control.
- **Clamp arm safety,**
two stage clamping cycle features initial 'soft-clamp' phase.
- **Clamps arm security,**
two stage clamping cycle features 'firm-clamp' lifting phase.
- **Flexibility,**
the Trojan bar lift is suitable for handling a full range of containers 140L to 360L plus roll top and flat top trade containers and Paladin containers.
While the open aperture and drop down rave plate makes it perfect for any bulky items or sacks.
- **Hold to run,**
the interlocked hopper plate enables the vehicle packer to be set to complete an uninterrupted cycle each time a container is emptied.
- **Automatic Reverse Raise,**
protects the bin lift when reversing.
- **Open Hopper,**
because the Trojan is mounted below the rave with a separate catcher bar - the hopper is unobstructed for easy loading.
- **Waterproof,**
all wiring connections are protected in a waterproof box tested to IP67 submarine standards.
- **Construction,**
the bin lift is constructed from laser cut high tensile steel to give impressive strength characteristics.



Terberg Matic UK Ltd

Leacroft Road, Birchwood, Warrington, Cheshire. WA3 6PJ

Phone 01925 283915 / Fax 01925 283910

E-mail: sales@terberg.co.uk / www.terberg.co.uk

Trojan Paladin



Control: Manual, EN 840.1 (80 - 390 ltr containers).
 EN 840.2 (500 - 1200 ltr containers).
 EN 840.3 (770 - 1300 ltr containers).
 Paladin bins

Power: Electric / Hydraulic.
 Electric; 24V DC, 10A, 16 pin electrical connection.
 Hydraulic; minimum 40 L.min., maximum 60 L.min., Pressure 180 bar.

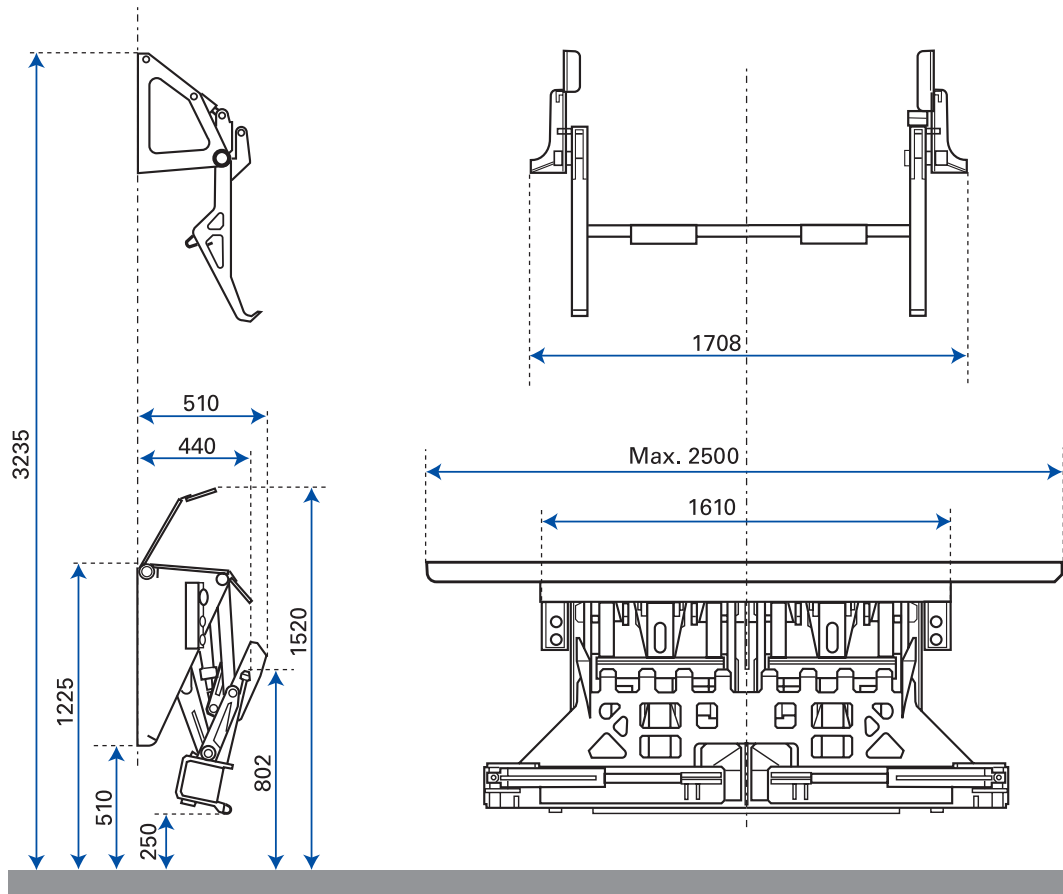
Lifting capacity: 1000N/5000N (100 kg/500 kg).

Weight: 470 kg.

Cycle time: Manual Trade 9,5 sec.

Noise level: ≤ 65 dB (A)

Safety: CE Machinery Directive certification and EN 1501.1 conformity.



We reserve the right to change the specification of our equipment at any time without prior notification.



TERBERG MACHINES B.V.

P.O. box 127, 3400 AC IJsselstein (U) Holland

Phone (+31) 30 2100 600 / Fax (+31) 030 2100 610

E-mail: info@terbergmachines.nl / www.terbergmachines.nl