

Tinium

Lightweight Rave Mounted Split Manual

The Tinium bin lift is a rave mounted light-weight split manual bin lift suitable for RCVs with GVW as low as 10 tonnes.

The key features are:

- **Bolt on fixing,**

the Tinium bin lift simply bolts to the RCV, to allow it to be easily removed for moving to other vehicles or in the event of accident damage to allow the RCV to continue to work.

- **Rave mounting,**

the simple rave mounting provides a wide-open hopper for the easy loading of bulky items and sacks.

- **Flexibility,**

the Tinium bin lift is suitable for handling a full range of containers 140L to 360L plus roll top and flat top trade containers. While the open aperture and drop down rave plate makes it perfect for any bulky items or sacks.

- **Low weight,**

with a low total weight, the Tinium is suitable for RCVs with a GVW as low 10 tonnes.

- **Hold to run,**

the interlocked hopper plate enables the vehicle packer to be set to complete an uninterrupted cycle each time a container is emptied.

- **Automatic Reverse Raise,**

protects the bin lift when reversing.

- **Open Hopper,**

because the Tinium is mounted below the rave with a separate catcher bar - the hopper is unobstructed for easy loading.

- **Waterproof,**

all wiring connections are protected in a waterproof box tested to IP67 submarine standards.

- **Construction,**

the bin lift is constructed from laser cut high tensile steel to give impressive strength characteristics.

- **Containers,**

in split mode the Tinium is perfect for two wheeled containers and at the turn of a switch it turns into a bar lift suitable either roll top or flat top trade containers.



Tinium



Control: Manual, EN 840.1 (80 - 390 ltr containers).
 EN 840.2 (500 - 1200 ltr containers).
 EN 840.3 (770 - 1300 ltr containers).

Power: Electric / Hydraulic.
 Electric; 24V DC, 10A, 16 pin electrical connection.
 Hydraulic; minimum 40 L.min., maximum 60 L.min., Pressure 180 bar.

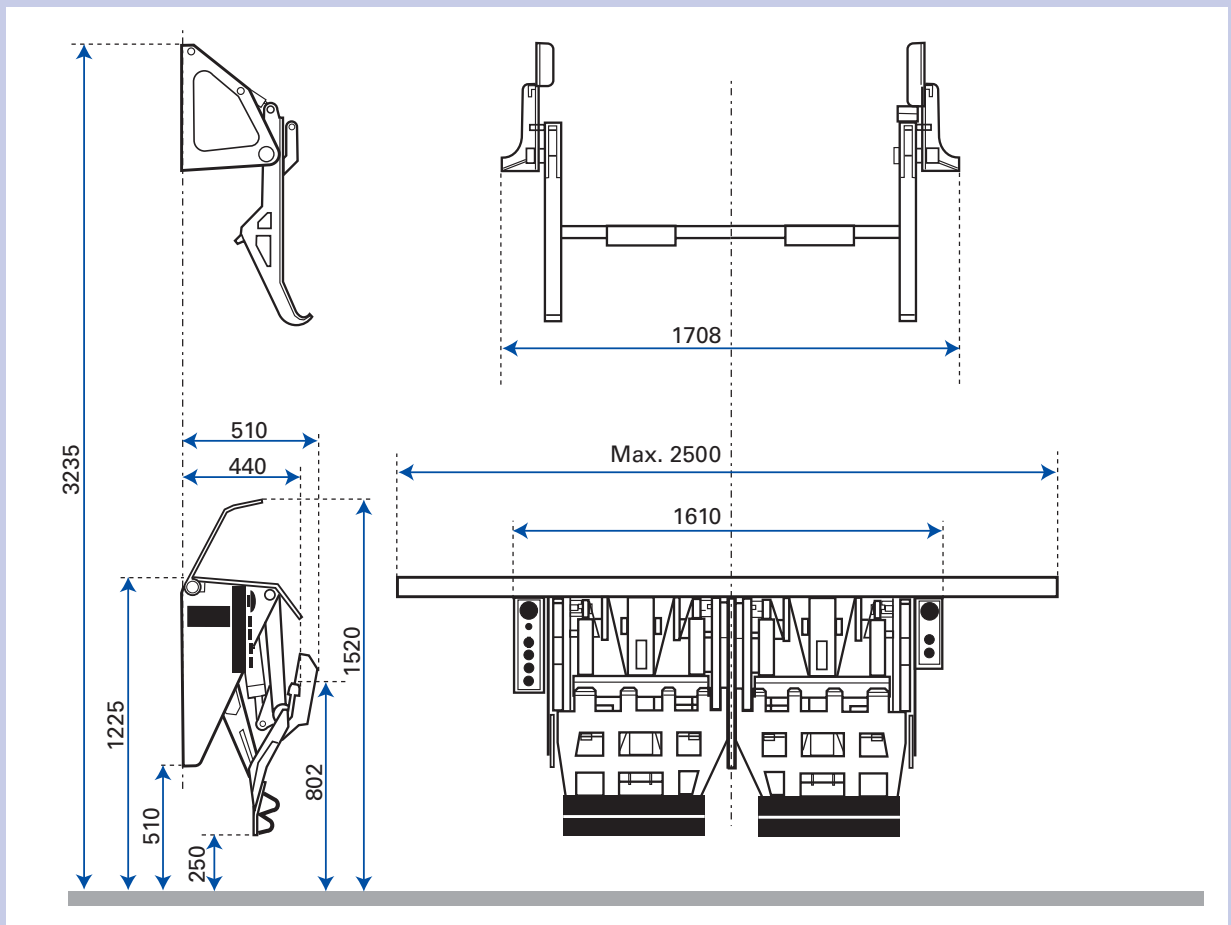
Lifting capacity: 1000N/5000N (100 kg/500 kg).

Weight: 390 kg.

Cycle time: Manual split 7.5 sec.
 Manual Trade 9,5 sec.

Noise level: ≤ 65 dB (A)

Safety: CE Machinery Directive certification and EN 1501.1 conformity.



We reserve the right to change the specification of our equipment at any time without prior notification.



TERBERG MACHINES B.V.

P.O. box 127, 3400 AC IJsselstein (U) Holland
 Phone (+31) 30 2100 600 / Fax (+31) 030 2100 610
 E-mail: info@terbergmachines.nl / www.terbergmachines.nl