

# TCH-D

## manual bar bin lift

The TCH-D is a front line manual bar bin lift that offers robust build and safe operation synonymous with the Terberg brand and comes complete with the following key features:

### ■Flexible;

The TCH-D is designed with operational flexibility in mind and is able to operate with a wide range of wheeled containers including EN840.1 (80-240 l, 340-390 l) and EN840.2/3 (550-1000 l, 770-1300 l) type containers.

In domestic, 2 wheel container mode the TCH-D takes only 7 seconds for the complete lifting cycle of the bar lift. In trade mode for 4 wheel containers the TCH-D safely lifts, empties and lowers containers in 12 seconds.

Switching between domestic and trade operation modes is made easy by the use of a robust control lever.

### ■Weight;

the TCH-D bin lift weighs in from as little as 680 kg.

### ■Security;

Manufactured in accordance with the CE Machinery Directive and EN 1501.1

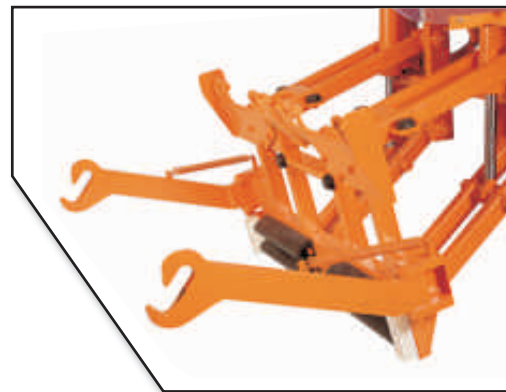
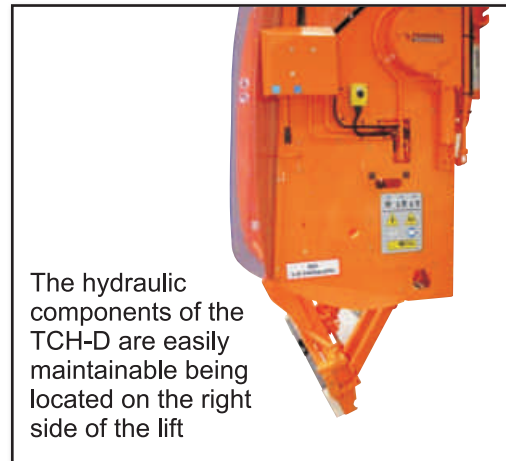
### ■User friendly;

The TCH-D offers user friendly, robust control levers which are located to either side of the bin lift frame ensuring full control at all times.

### ■Robust construction and easy maintenance;

The TCH-D is built using modular construction methods which ensures that most components are easily replaceable therefore reducing downtime and essential maintenance times.

The electrical and hydraulic controls units are within easy reach in side mounted service boxes. All electrical connections and equipment are built using components that are protected in accordance with IP67 submarine standards.



# TCH-D

## technical specifications

●-standard ○-option ○-not available

<b>Chair configuration</b> >
<b>EN840.1 containers (80-360 ltr.)</b> >
<b>EN840.1 containers (340-390 ltr.)</b> >
<b>EN840.2 containers (500-1200 ltr.)</b> >
<b>EN840.3 containers (770-1300 ltr.)</b> >
<b>Paladin containers</b> *with conversion bars >
<b>Lifting capacity</b> >
<b>Weight</b> >
<b>Power source</b> >
<b>Electrical connections</b> >
<b>Hydraulic connections</b> >
<b>Hydraulic requirement</b> >
<b>Cycle time</b> >
<b>Noise level:</b> >
<b>Safety</b> >
<b>Painted finish</b> >

### TCH-D

#### Bar lift

- 
- 
- 
- 
- 

5000N (500kgs) linked

680kgs

hydraulic / electric

16-pin / 24v - 10A

quick release couplings (DIN 2353, NW13, NW20)

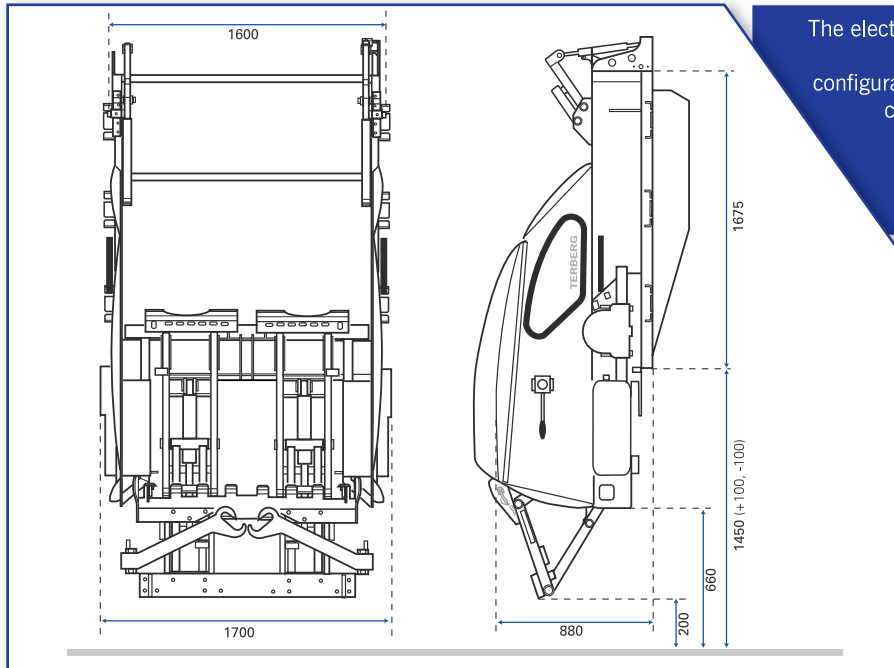
ideal 40 ltr/min., maximum 60 ltr/min., 180 bar

2-wheel containers 7.0 secs / 4-wheel containers 12.0 secs

<65db (A)

CE machinery directive certification and EN 1501.1

Painted to customer specification



The electrical & hydraulic specifications listed above represent the most common configurations, however, certain chassis/body combinations may require these to be modified, Terberg engineering should always be consulted before any preparation work commences



Terberg Matic UK Ltd. reserve the right to change the specification or design of our equipment at any time without prior notification



Terberg Matic UK Ltd, Leacroft Road,  
Birchwood, Warrington, Cheshire, WA3 6PJ.  
Tel > +44 (0) 1925 283 915  
Fax > +44 (0) 1925 283 905  
E-mail: sales@terberg.co.uk



Terberg Machines B.V, Postbus 127,  
3400 AC IJsselstein (U), Holland.  
Tel > (31) 30 2100 600  
Fax > (31) 30 2100 610  
E-mail: info@terbergmachines.nl

www.terberg.co.uk

TCH-D - Rev. 1 EN UK - June 2009

