

OmniTRADE

heavy duty, trade binlift

The OmniTRADE and OmniTRADE Xtra are the next evolutionary steps in Terberg's established line of trade bin lifts offering the same robust build and safe operation synonymous with the Terberg brand and some impressive features as standard. Additionally, the OmniTRADE has an array of optional features giving you the choice to build a trade bin lift with functionality to meet your requirements;

- **Interface;**

The OmniTRADE is available supplied as a one-piece bin lift complete with its own integral mounting frame, or as a two-part bin lift suitable for mounting onto a body builder prepared frame.

The OmniTRADE is available in two variants; 2.2m or 2.5m wide.

- **Low weight;**

The OmniTRADE bin lift weighs as little as 690kg with the integral mounting frame (subject to specification).

- **Unique OmniBALANCE hydraulics;**

The OmniTRADE's unique and patented hydraulic system ensures that the lifting cycle is smooth, safe and controlled at all times.

- **Reduced overhang and Centre of Gravity projection;**

With a combination of its low weight of only 690kg, its reduced overhang and a CoG projection of only 100mm, the OmniTRADE minimises rear axle overloading.

- **Easy hand loading;**

The OmniTRADE's profiled, full width hopper plate lowers with minimal effort to cover the OmniTRADE's heavy duty bin lift comb/chair and provides genuine 'open back' hand loading.

- **Low maintenance;**

Built with maintenance free ultrasonic sensors for SMT* and four wheeled recognition**, low maintenance bearings and stainless steel axles, the OmniTRADE represents a reliable, low maintenance solution with reduced whole life costs.

- **Two stage soft lift for ease of operation;**

The OmniTRADE is designed with a progressive soft lift action to enable easy handling and container location.

- **'First movement' button station;**

For ease of use all OmniTRADE binlifts are fitted with a 'first movement' button station mounted on the lifting frame. Once a container is 'engaged', control is passed over to the main control panel mounted outside of the restricted lifting zone.

- **Single Man Trade / SMT option; ***

For ease of one man operation the OmniTRADE can be supplied with SMT, a feature that enables containers to be automatically 'engaged' before control is passed to the manual button station.

- **Single Button Tip / SBT option; ****

Single Button Tip (SBT) is a standard feature on the OmniTRADE Xtra, allowing the second movement for two or four wheeled containers from 'engagement' to 'full tip' to be activated by a single button press.

- **Intelligent Speed Selection / ISS option; *****

Bin lift cycle times are governed by the size of container being handled. For optimum efficiency, the OmniTRADE Xtra is available with ISS, whereby the lift automatically detects whether a four wheeled container or a two-wheeled container(s) has been presented and varies the cycle time accordingly between 10.0 and 12.0 seconds respectively.

- **Supported by Terberg Service and Warranty;**

In addition to a standard twelve month warranty, the OmniTRADE comes with a thirty-six month warranty on all mechanical construction items.

- **Designed with dynamic weighing in mind; *****

The OmniTRADE Xtra is designed particularly with a view to integrating weighing and identification systems with ease. Consequently, the OmniTRADE has a smooth operation designed to minimise 'bin bounce' and a vertical initial lift providing a 'window' for ease of data recording.

* standard on OmniTRADE Xtra, option on OmniTRADE

** standard on OmniTRADE Xtra, not available on OmniTRADE

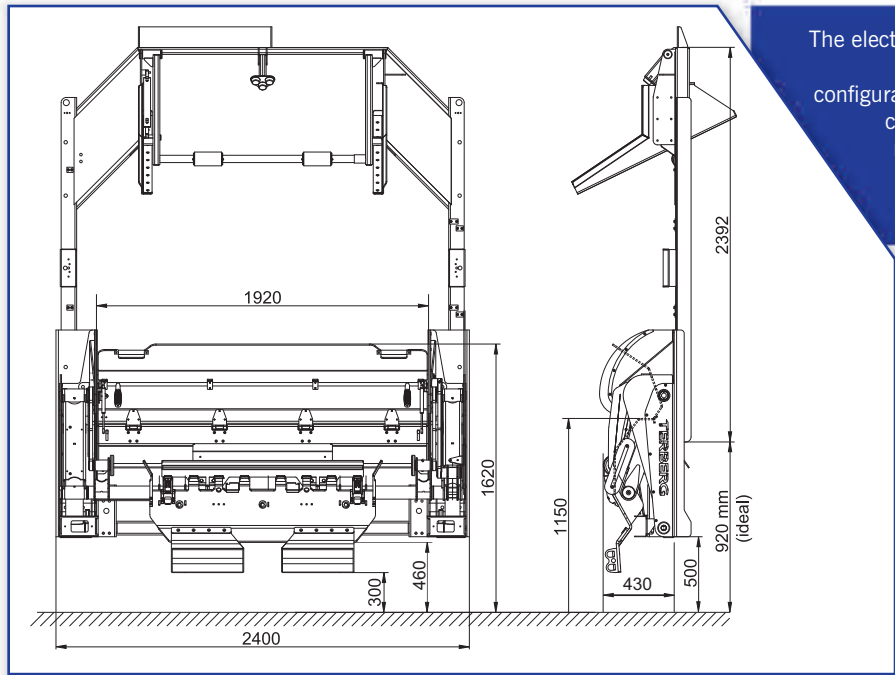
*** option on OmniTRADE Xtra, not available on OmniTRADE



OmniTRADE technical specifications

●-standard ○-option ○-not available

	OmniTRADE	OmniTRADE Xtra
Chair configuration >	Heavy duty bar comb chair	
Control system >	Terberg System 1	Terberg System 2
Single Man Trade (SMT) >	○	●
Single Button Tip (SBT) >	○	●
Intelligent Speed Selection (ISS) >	○	○
4-wheel container recognition >	○	●
'First movement' button station >	●	●
Terberg Weighing & RFID preparation >	○	○
EN840.1 containers (80-390 ltr.) >	●	●
EN840.2 containers (500-1200 ltr.) >	●	●
EN840.3 containers (770-1300 ltr.) >	●	●
Paladin containers *with conversion bars >	●	●
Lifting capacity >	500kgs (5000N)	
Weight >	690kgs (with mounting frame)	
Power source >	hydraulic / electric	
Electrical connections >	16-pin / 24v	
Hydraulic connections >	quick release couplings (DIN 2353, NW13, NW20)	
Hydraulic requirement >	ideally 40 ltr/min., maximum 60 ltr/min., 155 bar	
Cycle time >	Manual > 4-wheel containers 12.0 secs / 2-wheel container 10.0 secs	
Noise level: >	<65db (A)	
Safety >	CE machinery directive certification, EN 1501-1 and 98/37/EEG conformity	
Painted finish >	RAL 2011 (orange) as standard	



The electrical & hydraulic specifications listed above represent the most common configurations, however, certain chassis/body combinations may require these to be modified, Terberg engineering should always be consulted before any preparation work commences



Terberg Matec UK reserve the right to change the specification or design of our equipment at any time without prior notification



Terberg Matec UK Ltd, Leacroft Road,
 Birchwood, Warrington, Cheshire, WA3 6PJ.
 Tel > +44 (0) 1925 283 915
 Fax > +44 (0) 1925 283 905
 E-mail: sales@terberg.co.uk



Terberg Machines B.V, Postbus 127,
 3400 AC IJsselstein (U), Holland.
 Tel > (31) 30 2100 600
 Fax > (31) 30 2100 610
 E-mail: info@terbergmachines.nl

www.terberg.co.uk

OmniTRADE \ OmniTRADE Xtra - Rev. 2 EN - March 2009



CE